

SHOWER

Z94262.X

Soffione Ø 320 mm. / Ø 320 mm shower head.



Soffione Ø 320 mm in acciaio inox. A getto fisso con sistema anticalcare, spessore 8 mm. Ispezionabile.
Water Saving - portata d'acqua uguale o inferiore a 9 l/min.

Ø 320 mm stainless steel shower head, with anti-limescale system. 8 mm thickness. Inspectionable.
Water Saving - water flow rate of 9 l/min or less.

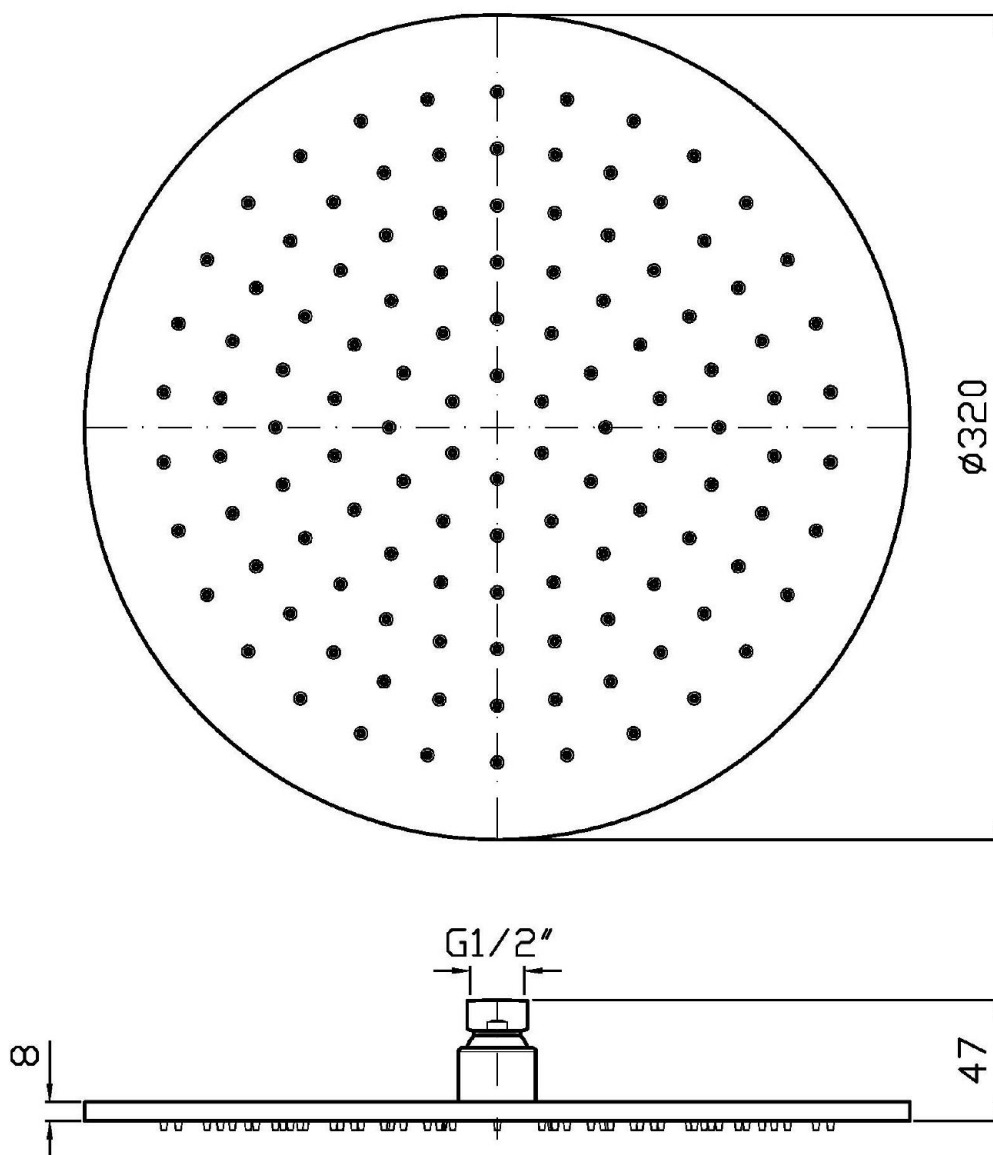
Finiture / Finishes

 X	 XP31	 XP41	 XP81	 XP91
Acciaio inox spazzolato / Brushed stainless steel	Brushed PVD British gold / Brushed PVD British gold	Brushed PVD gold / Brushed PVD gold	PVD Brushed Total Black / PVD Brushed Total Black	Brushed PVD copper / Brushed PVD copper

SHOWER

Z94262.X

Disegno Complessivo / Overall Drawing

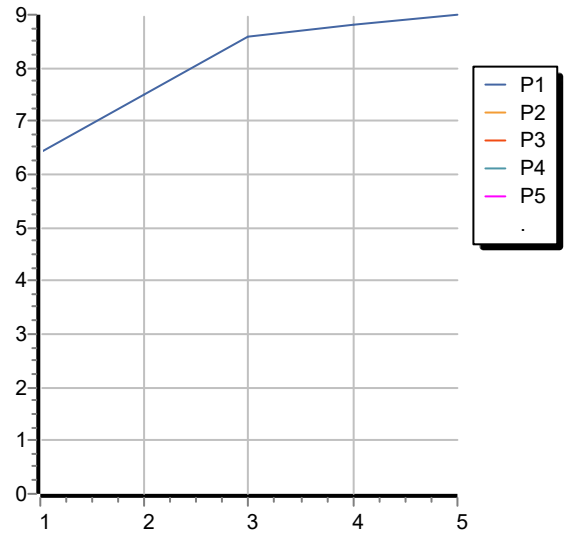


SHOWER

Z94262.X

Portate / Flowrates (lt/min)

PRESSIONE PRESSURE	1 BAR	2 BAR	3 BAR	4 BAR	5 BAR
SOFFIONE SHOWER HEAD P1	6,4	7,5	8,6	8,8	9
P2					
P3					
P4					
P5					



SHOWER

Z94262.X

Pesi e Misure / Weights and Sizes

Peso (Kg) Weight (lb)	3,40 (Kg)	7,50 (lb)
Volume test (dc3) - (in3)	11,00 (dc3)	671,26 (in3)
h (mm) - (in)	90,00 (mm)	3,54 (in)
L1 (mm) - (in)	335,00 (mm)	13,19 (in)
L2 (mm) - (in)	365,00 (mm)	14,37 (in)

